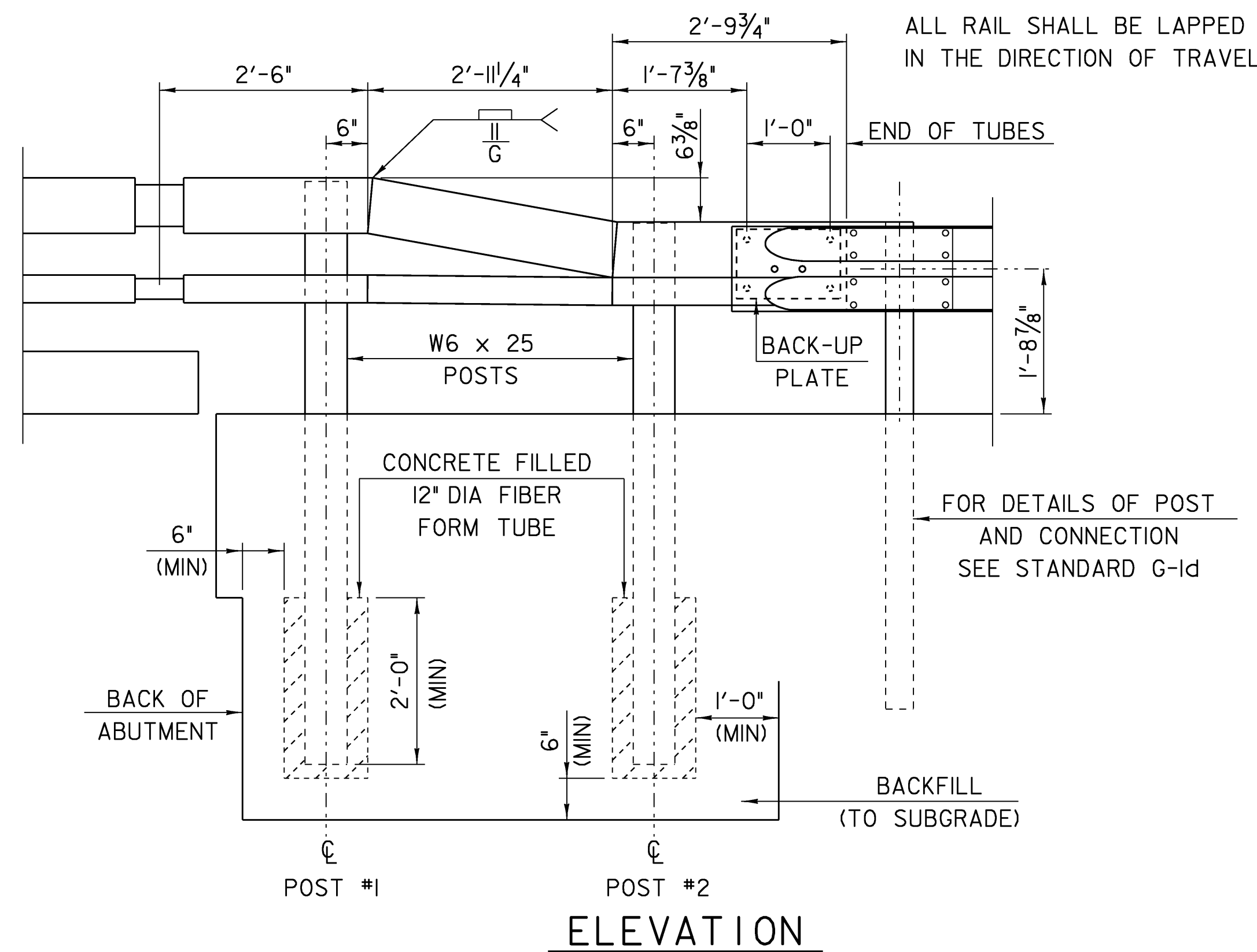
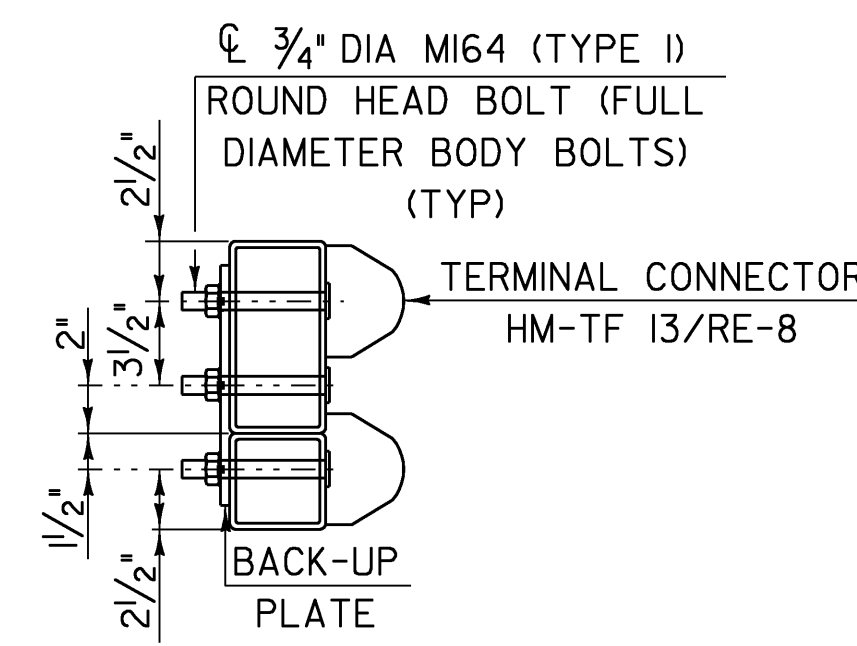


TYPICAL SECTION

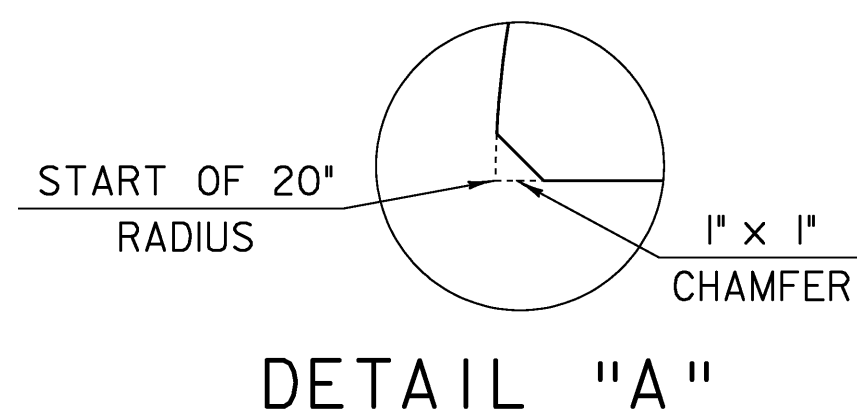
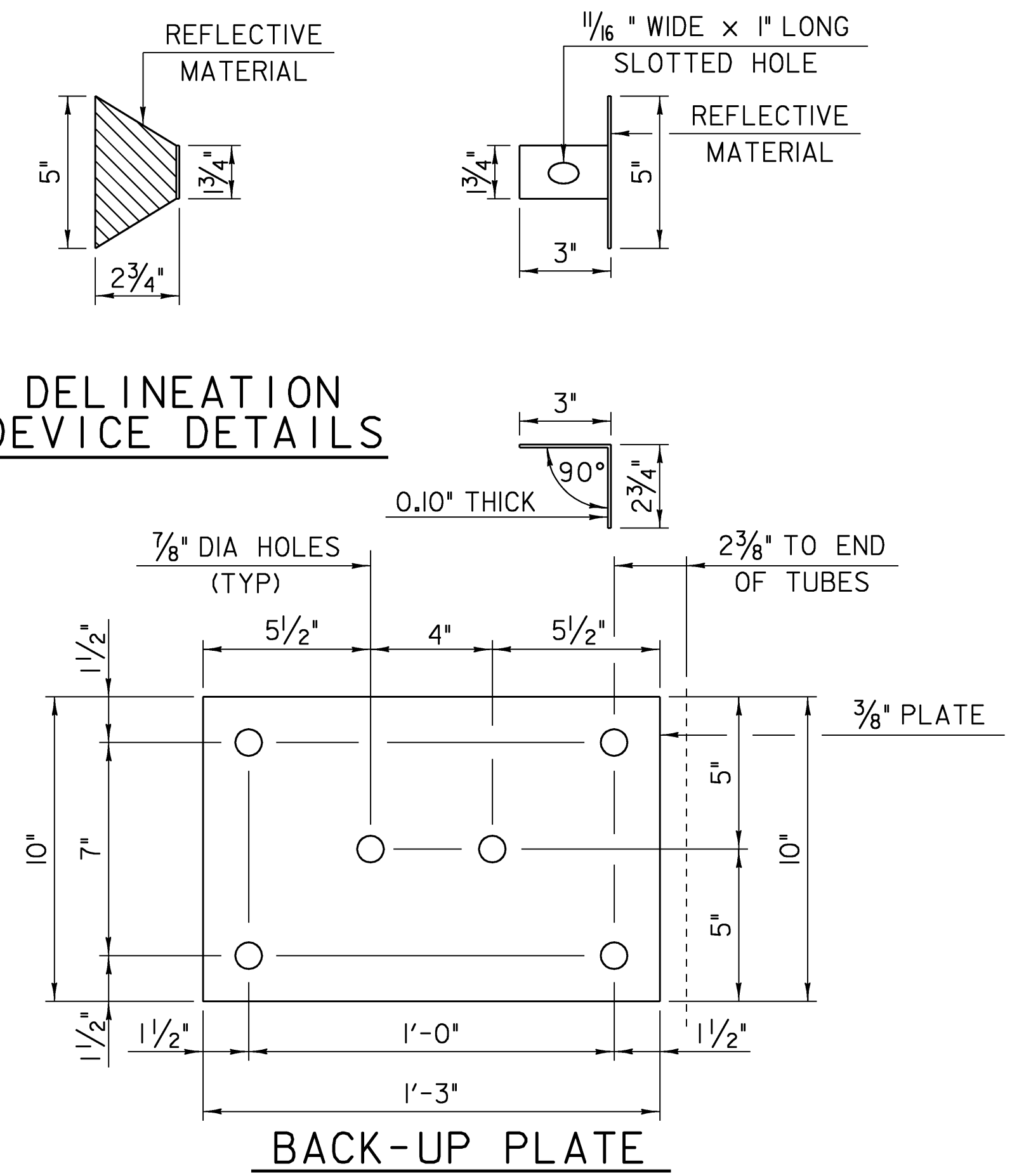
RAILING TRANSITION ELEVATION



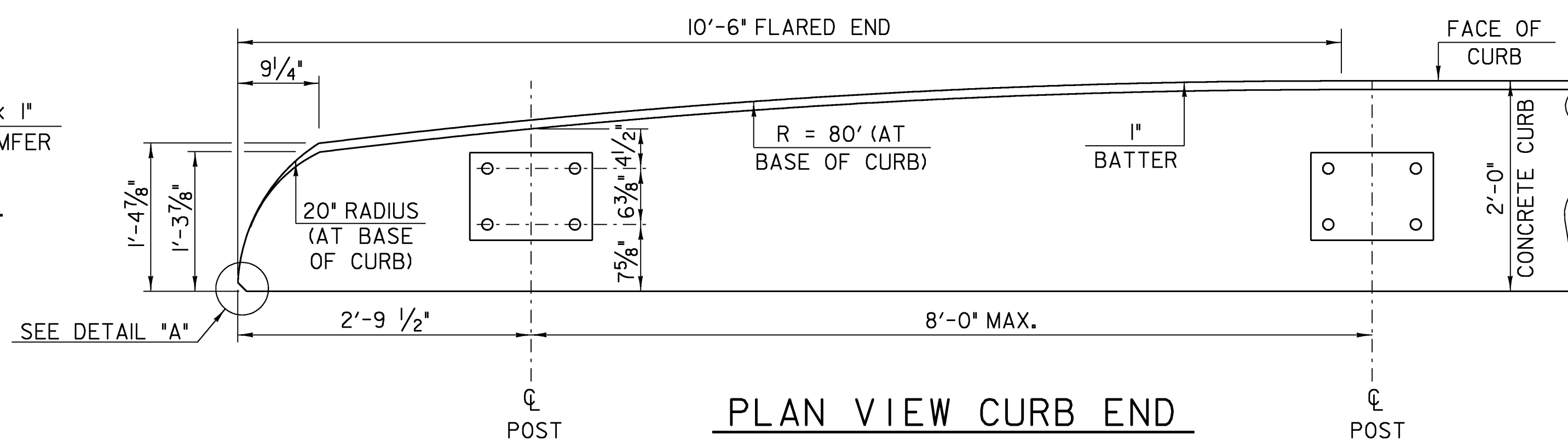
SECTION THROUGH GUARD RAIL CONNECTION AT TERMINAL CONNECTOR



DELINEATION DEVICE DETAILS



DETAIL "A"



PLAN VIEW CURB END

Notes:

- REFER TO SHEET 49 FOR ADDITIONAL DETAILS, NOTES AND MATERIAL SPECIFICATIONS.
- TO FACILITATE FIELD FIT - UP OF THE TRANSITION RAILING, POSTS SHALL BE SET LOOSELY INTO FIBER FORM TUBES WHILE TRANSITION PARTS ARE BEING ASSEMBLED. POST HOLES SHALL BE BACKFILLED WITH A CONCRETE MIX APPROVED BY THE ENGINEER. PAYMENT FOR COMPONENTS, INCLUDING BACKUP PLATE AND END TERMINAL CONNECTOR FOR GUARD RAIL, AUGERING, FIBER FORM TUBES AND CONCRETE, AND INSTALLATION SHALL BE CONSIDERED INCIDENTAL TO BRIDGE RAILING, GALVANIZED NETC 2 RAIL.
- THE REFLECTORIZED ALUMINUM DELINEATION IS TO BE ERECTED EVERY 30' (OR CLOSEST POST) WITH A 5/8" DIAMETER BOLT. DELINEATORS SHALL MEET SPECIFICATION REQUIREMENTS FOR ASTM B209 ALLOY 5052-H32.
- RETROREFLECTIVE MATERIAL SHALL MEET REQUIREMENTS OF SUBSECTION 750.08 AND SHALL BE OF ENCAPSULATED LENS SILVER OR AMBER. AMBER IS TO BE INSTALLED ON THE DRIVER'S LEFT AND SILVER ON THEIR RIGHT.
- ON BRIDGES WITH A SIDEWALK, DELINEATORS ARE NOT TO BE INSTALLED ON THE SIDEWALK SIDE OF THE BRIDGE (I.E. DELINEATORS INSTALLED ONLY ON THE CURB SIDE AND ON THE APPROACH ON THE CURB SIDE). PAYMENT SHALL BE INCIDENTAL TO ALL OTHER ITEMS.
- ALL APPROACH RAIL SPLICES SHALL BE LAPPED IN THE DIRECTION OF TRAFFIC FLOW.
- SEE STANDARDS G-1 AND G-1d FOR ADDITIONAL INFORMATION.

POST NUMBER	RAIL HEIGHT (A)	RAIL SPACING (B)	POST LENGTH (C)	RAIL HEIGHT (D)
1	2'-10"	1'-4"	7'-0"	1'-6"
2	2'-3 5/8"	10"	6'-5"	1'-5 5/8"

NETC RAIL DETAILS (1)

PROJECT NAME:	CANAAN	PLOT DATE:	18-AUG-2008
PROJECT NUMBER:	ER ST 0271(16)	DRAWN BY:	L. DUQUETTE
FILE NAME:	04c098/struc./s04c098d1s	DESIGNED BY:	S.SCRIBNER
PROJECT LEADER:	M. EVANS-MONGEON	CHECKED BY:	S. SCRIBNER
		SHEET	48 OF 66